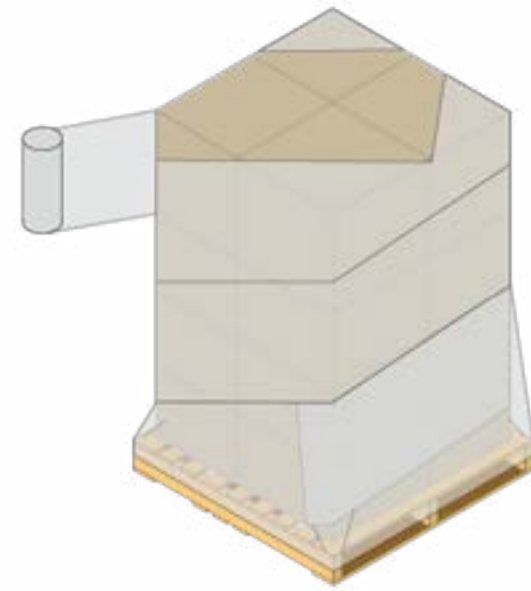




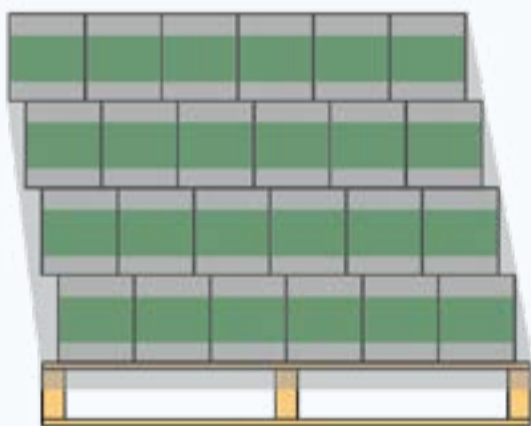
Stretch and shrink wrapping is a stretchable plastic film that is wrapped around small items to unitise and hold loads together. It is generally used for light and small items.

- ✔ Unitises small individual items into one large item
- ✔ Can be a form of load restraint if done appropriately
- ✔ Provides weather protection
- ✔ Prevents tampering with load

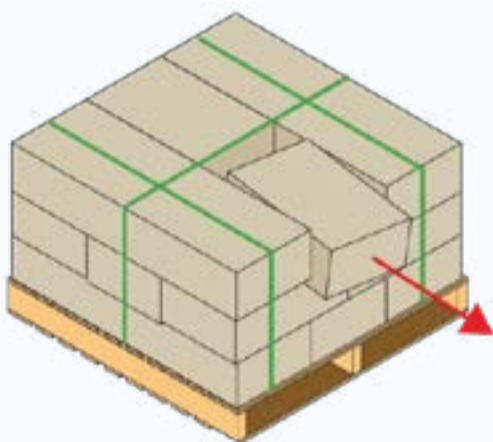


⚠ RISKS

⚠ LOW FRICTION BETWEEN ROWS



⚠ NOT UNITISED (HELD TOGETHER)

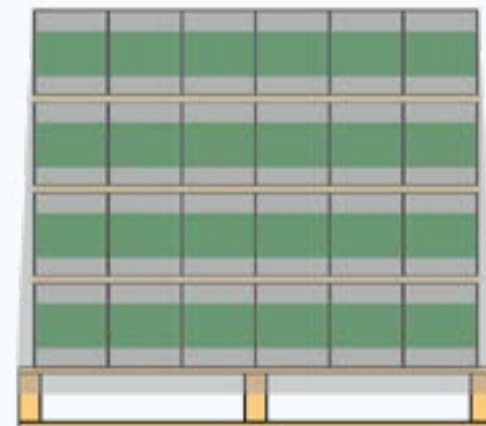


⚠ HEAVY LOAD RELYING ON SHRINK-WRAP ONLY

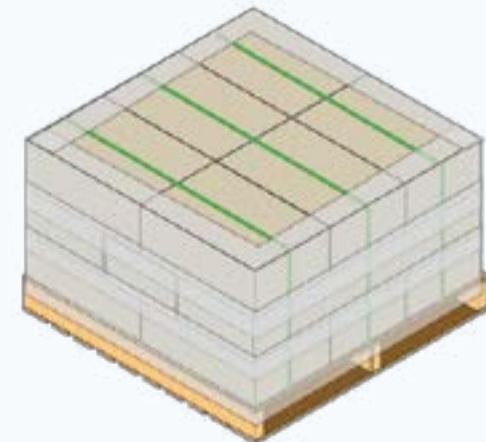


✔ GOOD PRACTICE

✔ ANTI-SLIP MATERIAL BETWEEN ROWS



✔ LOAD UNITISED



✔ HEAVY LOAD WITH EXTRA RESTRAINT

